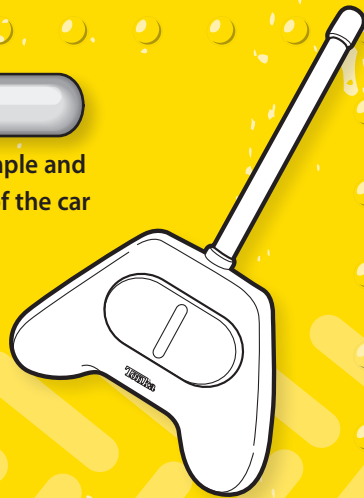


AGES
3+

Tonka®

PLAY:

Playing with this radio controlled vehicle is simple and fun. Just turn the ON/OFF switch on the back of the car to "ON" and use the r/c controller to drive it. There are two buttons on the controller: forward and reverse. When the racer runs into an obstacle, it may either bounce off of it or even flip over!



Bounce Back Racer™

FCC STATEMENT

This device complies with part 15 of the FCC Rules. Operation is subject to the following two conditions: (1) This device may not cause harmful interference, and (2) this device must accept any interference received, including interference that may cause undesired operation.

This equipment has been tested and found to comply with the limits for a Class B digital device, pursuant to part 15 of the FCC Rules. These limits are designed to provide reasonable protection against harmful interference in a residential installation. This equipment generates, uses and can radiate radio frequency energy, and, if not installed and used in accordance with the instructions, may cause harmful interference to radio communications. However, there is no guarantee that interference will not occur in a particular installation. If this equipment does cause harmful interference to radio or television reception, which can be determined by turning the equipment off and on, the user is encouraged to try to correct the interference by one or more of the following measures:

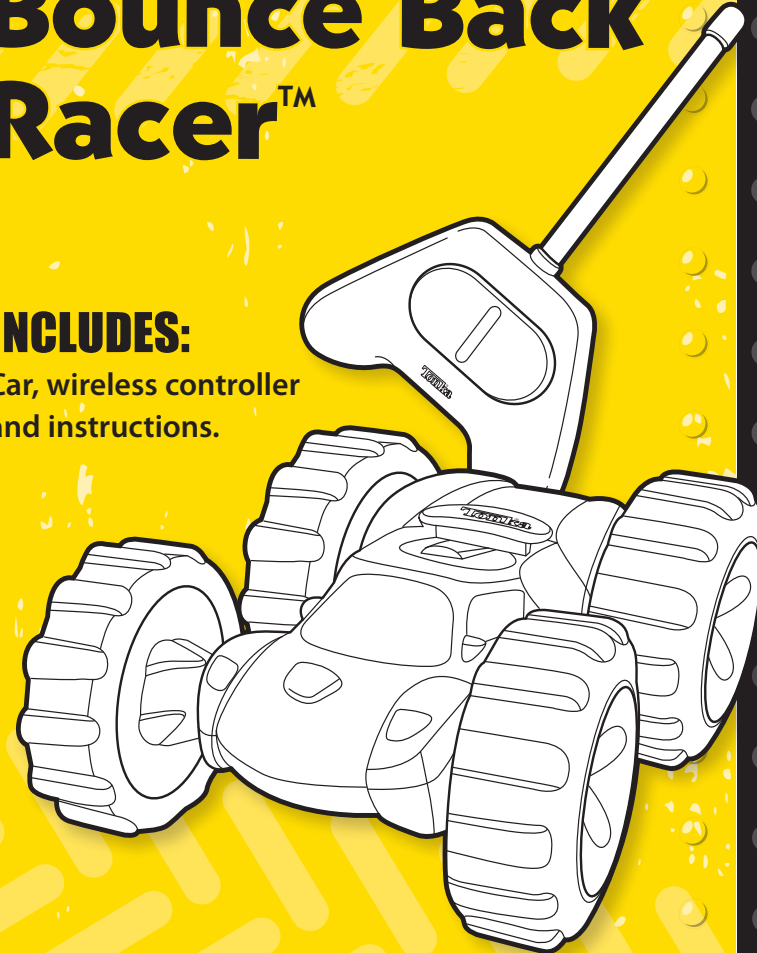
- Reorient or relocate the receiving antenna.
- Increase the separation between the equipment and receiver.

CAUTION: Changes or modifications not expressly approved by the party responsible for compliance could void the user's authority to operate the equipment.

NOTE: Adult should remove and discard plastic fasteners.

INCLUDES:

Car, wireless controller and instructions.



x1
9V or
6R61
size

**BATTERY
REQUIRED
NOT INCLUDED**

Alkaline battery recommended. Phillips/cross head screwdriver (not included) needed to insert battery.

x6
1.5V AA
LR6 size

**ALKALINE
BATTERIES
REQUIRED
NOT INCLUDED**

Phillips/cross head screwdriver (not included) needed to insert batteries.



CAUTION:

Hair entanglement may result if child's hair comes in contact with moving parts of toy. Adult supervision is required.



Product and colors may vary.
© 2009 Hasbro. All Rights Reserved.
TM & ® denote U.S. Trademarks.

099950001 Asst.

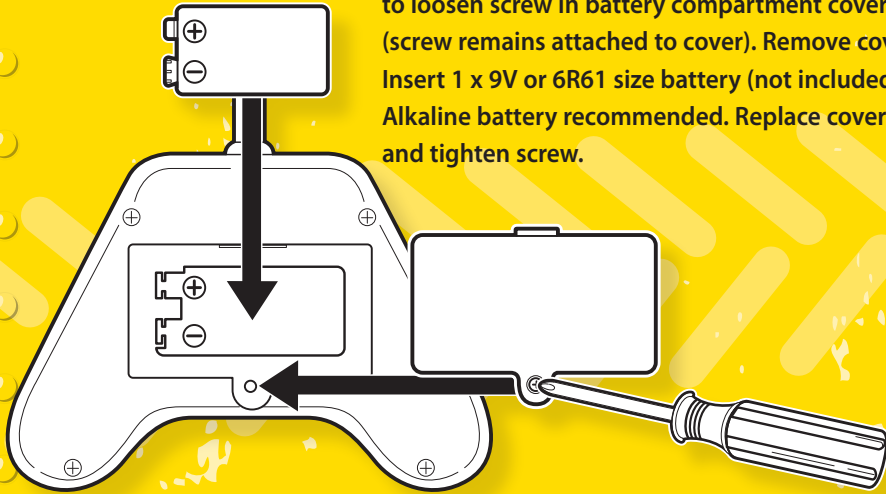
P/N 6954080000

VISIT
TONKA.COM

Questions? Call: 1-800-327-8264

TO INSTALL BATTERY IN WIRELESS CONTROLLER:

Use a Phillips/cross head screwdriver (not included) to loosen screw in battery compartment cover (screw remains attached to cover). Remove cover. Insert 1 x 9V or 6R61 size battery (not included). Alkaline battery recommended. Replace cover and tighten screw.



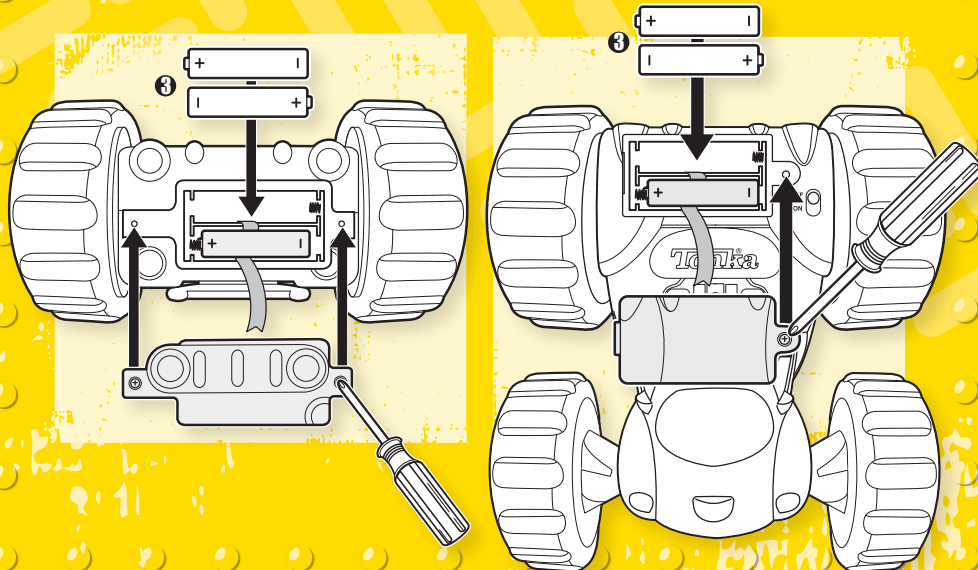
TO INSTALL BATTERIES IN CAR:

NOTE: There are two battery compartments; each holds 3 batteries.

Use a Phillips/cross head screwdriver (not included) to loosen screws in battery compartment covers (screws remain attached to covers). Remove covers.

Insert 6 x 1.5V "AA" or LR6 size alkaline batteries (not included).

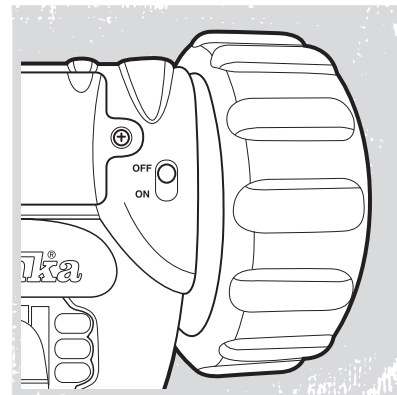
Replace covers and tighten screws.



IMPORTANT: BATTERY INFORMATION

⚠ CAUTION:

1. Always follow the instructions carefully. Use only batteries specified and be sure to insert them correctly by matching the + and – polarity markings.
2. Do not mix old batteries and new batteries, or standard (carbon-zinc) with alkaline batteries.
3. Remove exhausted or dead batteries from the product.
4. Remove batteries if product is not to be played with for a long time.
5. Do not short-circuit the supply terminals.
6. Should this product cause, or be affected by, local electrical interference, move it away from other electrical equipment. Reset (switching off and back on again or removing and re-inserting batteries) if necessary.
7. RECHARGEABLE BATTERIES: Do not mix these with any other types of batteries. Always remove from the product before recharging. Recharge batteries under adult supervision. DO NOT RECHARGE OTHER TYPES OF BATTERIES.



NOTE: If toy stops working, turn off vehicle, wait 5 seconds and turn back on. If it still does not work, turn off and leave off for 5 minutes. Then turn on and resume normal use.

To conserve batteries, be sure to switch car to "off" when not in use.